

Waveguide Termination

WR284 (BJ32) Waveguide Matched Termination, ME-WT-WR284 2.60-3.95 GHz, 10 W, UDR32 Flange, Rectangular

QR code



Hangzhou Multipath Electronics Co., Ltd., Zhejiang, China

⚙️ Electrical & Environmental

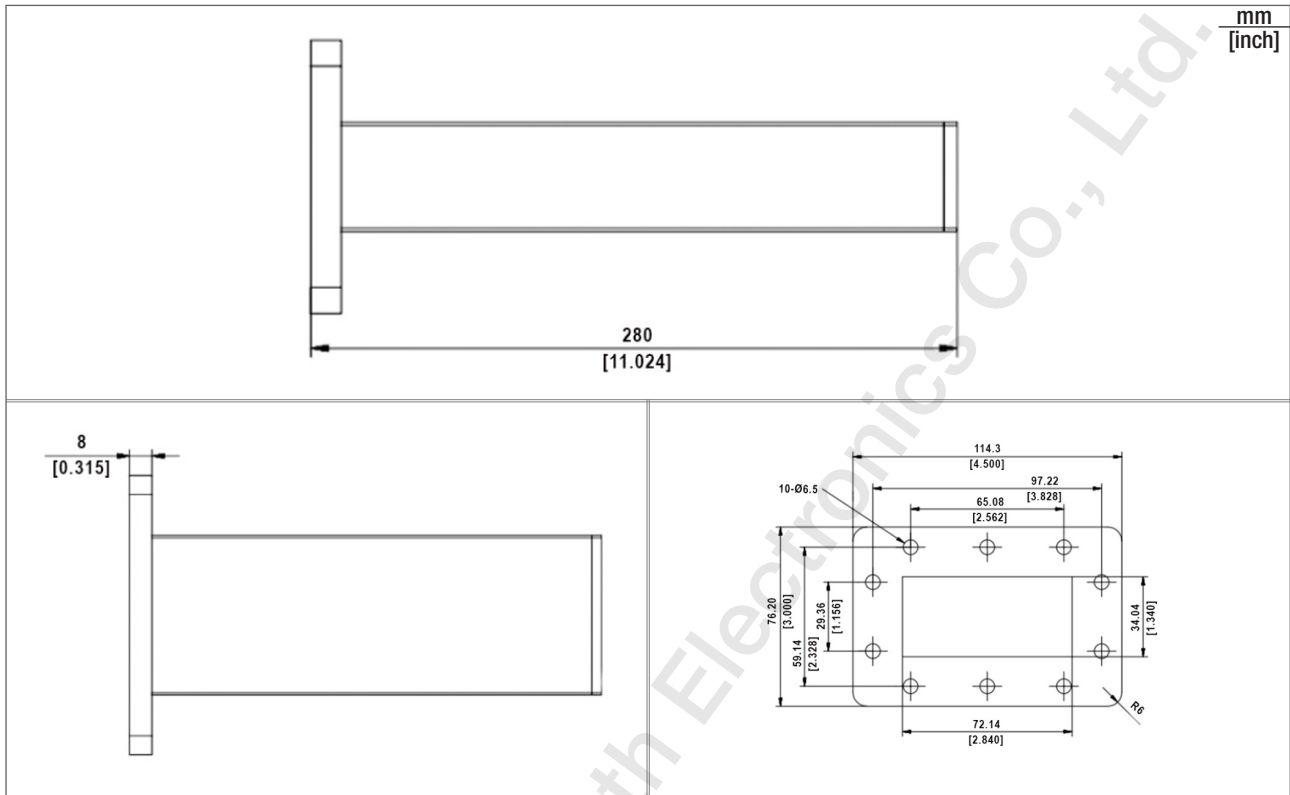
Frequency Range	2.60 - 3.95 GHz	Impedance	-
VSWR	1.03 max	Input Avg Power	10 W @ 25 °C
Peak Power	-		

⚙️ Mechanical & Product Information

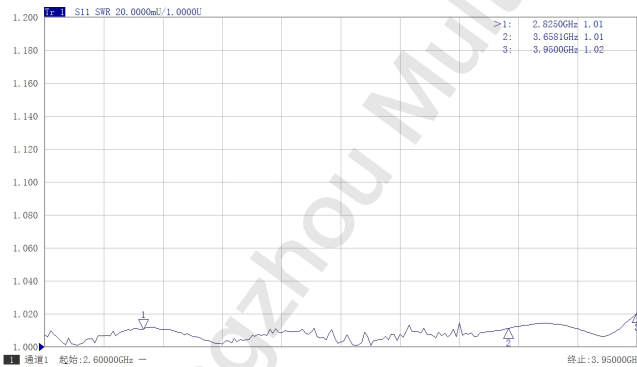
Product Number	ME-WT-WR284, P-Grade	Waveguide	WR284 (BJ32), UDR32 Flange
Waveguide Body	Aluminum, grey painted	Waveguide Cavity	Aluminum, electric conductive oxidation
Heat Sink	N/A	Net Weight	About 649.0 g
Operating Temp	-55 °C~+100 °C		

Outline dimensions

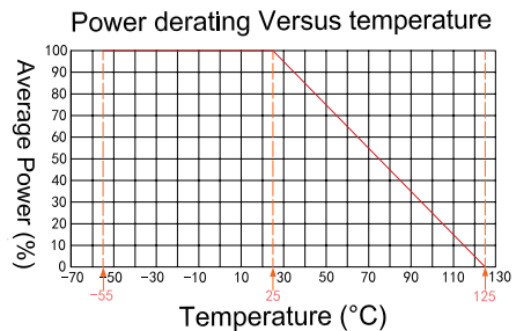
Dimensions(mm) Tolerance±1%



Typical Test Data



Notes: To ensure longevity and performance, do not use at full power for a long time. Peak power, pulse width, and dutycycle need to meet their requirements. Input high power, require heat dissipation, maintain temperature within 60°C. Reference Curve, derate linearly to 0.1W at 100°C.



Customized connectors, dimensions, PIM, VSWR.



Multipath Electronics

Contact

+86-571-56201039

sales@multipath.cn

https://www.multipath-electron.com

Technical specifications in this datasheet are subject to change without notice. Actual products may differ from the shown images.